



Fencing System
LINKLAND[®]



Anping Linkland Wire mesh Products Co., Ltd.



WROUGHT IRON FENCE

www.linklandfence.com
E-mail: Sales@linklandfence.com



WROUGHT IRON FENCE

Wrought iron fence is very common and also widespread fence all around the world. As a widely product, it adapt to various kinds of architectures and surroundings, such as villa, housing estate, high-grade personal house, highway, school, hospital, administrative building and so on, apart from that, Linkland also provides wrought iron gate, wrought iron railing and window fence for the mentioned environments. Wrought iron fence provides, Linkland fence mainly classify into three types wrought iron fence with finial, wrought iron fence without finial (flat top), patterned wrought iron fence. Wrought iron fence is both modern and classic pleasing and tasteful, Linkland Fence forces on production with high-quality and improvement of customer's experience.

Product info

Specification of wrought iron fence

- **Material:** aluminum, mild steel, galvanized, carbon steel.
- **Surface treatment:** electric/hot-dip galvanized, powder coating, zinc phosphate coating, PVC, UV-proof powder, epoxy coated, polyester powder coated, etc.
- **Color:** black, white, chocolate, stain khaki, textured grey, silver, olive green, etc.
- **Finial shape:** arrow-shape, ball-shape, engraving pattern shape.

Feature of wrought iron fence

- Preventing from accessing.
- Anti-corrosion.
- Longevity.
- Various shape.
- Solid.
- Anti-climb.
- Anti-rust.
- Various color.
- Pleasing appearance.
- Stable.

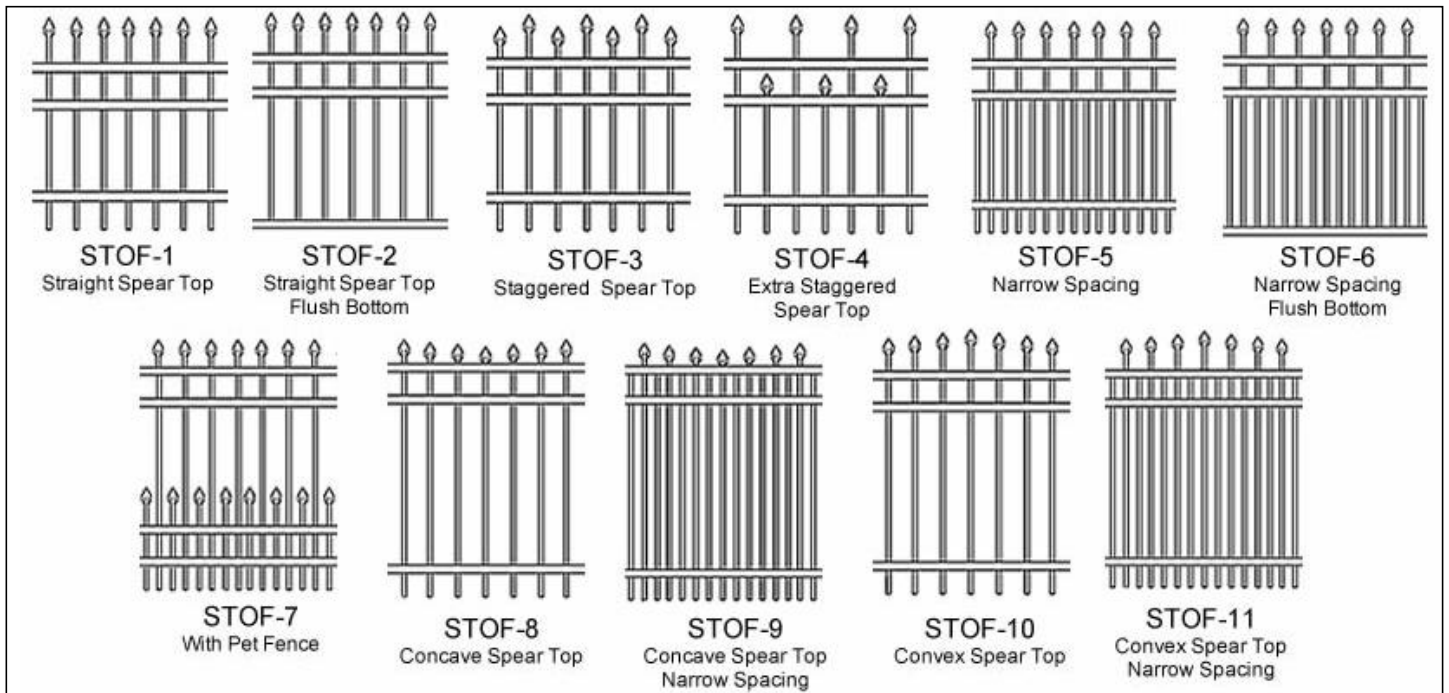
Wrought iron fence application

- Residential area.
- Villa.
- Swimming pool.
- Administrative building.
- Roof.
- Window or balcony protected fence.
- Private house.
- Resort.
- School.
- Highway.
- Gate.
- High-grade house.
- Vacation hotel.
- Hospital.
- Plaza.
- Railing.

WROUGHT IRON FENCE

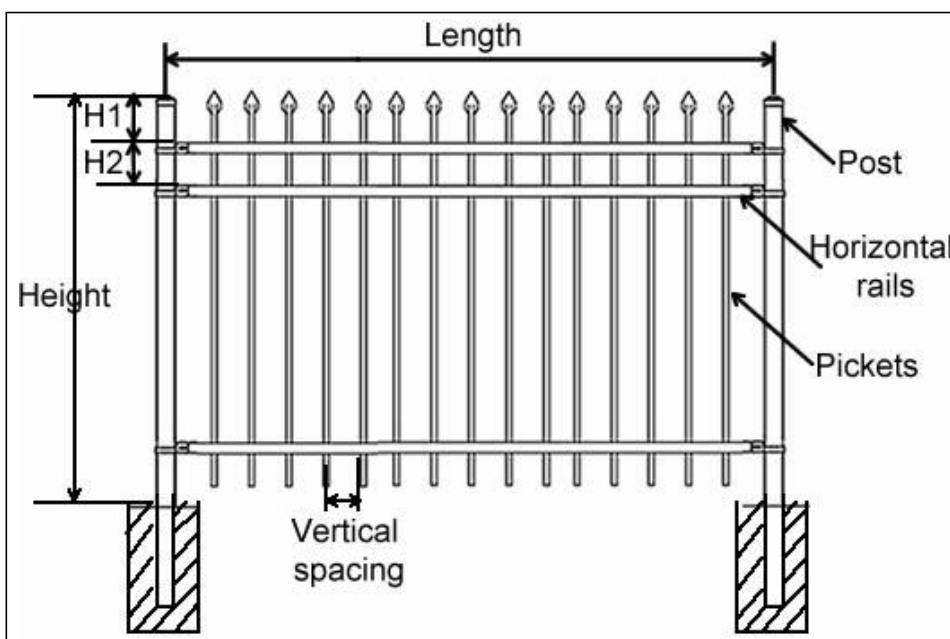
I, Wrought iron fence with finial

Types as the picture below



Wrought t iron fence - spear top

Picture and dimension table



STOF-1 wrought iron fence – straight spear top

WROUGHT IRON FENCE

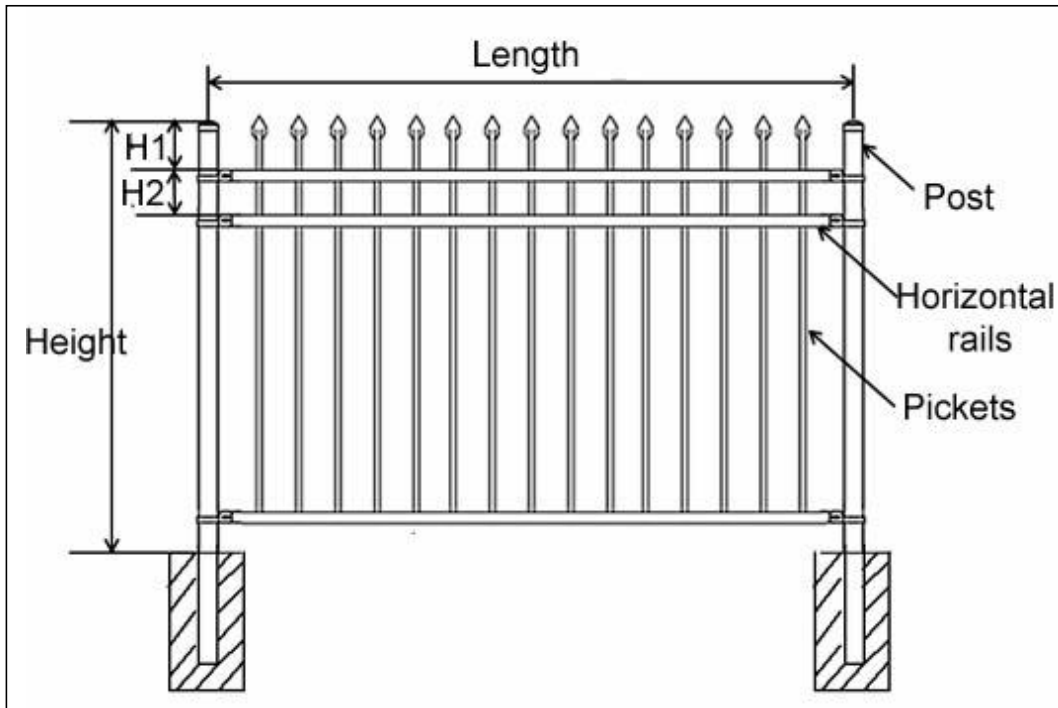
Table 1: STOF-1 Straight Spear Top - Aluminum Fence

| Length | Height | H1 | H2 | Vertical Spacing | Pickets | Post | Horizontal rails | |
|---------|------------------|--------|----|------------------|--------------------------------|------------------------------|---------------------------------|--|
| | | | | | | | Top Rail | Rail size |
| 72-1/2" | 3' or 4' | 6-1/2" | 7" | 3-13/16" | 5/8" square × 0.05" thick × 15 | 2" square × 0.06" thick | 1" square × 0.055" thick × 1 | 1" square × 0.062" thick × 2 (3 Rail sizes for 6') |
| 72-1/2" | 5' or 6' | 7-1/2" | 7" | 3-13/16" | | | | |
| 72-1/2" | 3' or 4' | 6-1/2" | 7" | 1-5/8" | 5/8" square × 0.05" thick × 31 | | | |
| 72-1/2" | 5' or 6' | 7-1/2" | 7" | 1-5/8" | | | | |
| 72" | 3', 4', 5' or 6' | 5" | 7" | 3-13/16" | 5/8" square × 0.05" thick × 15 | 2" square × 0.062" thick | 1" square × 0.062" thick × 1 | 1" square × 0.072" thick × 2 |
| 72-1/2" | 3', 4', 5' or 6' | 8-3/4" | 8" | 4" | 1" square × 0.062" thick × 13 | 2-1/2" square × 0.075" thick | 1-5/8" square × 0.07" thick × 1 | 1-5/8" square × 0.1" thick × 2 (3 Rail sizes for 8') |
| 72-1/2" | 8' | 8-3/4" | 9" | 4" | | | | |
| 72-1/2" | 3', 4', 5' or 6' | 8-3/4" | 8" | 1-1/2" | 1" square × 0.062" thick × 27 | | | |
| 72-1/2" | 8' | 8-3/4" | 9" | 1-1/2" | | | | |

Table 2: STOF-1 Straight Spear Top - Steel / Wrought Iron Fence

| Length | Height | H1 | H2 | Vertical Spacing | Pickets | Post | Horizontal rails |
|--------|----------------------------------|--------|--------|------------------|--------------------------|-----------------------|-------------------------|
| 96" | 3', 3-1/2', 4', 5' or 6' | 5-3/4" | 5" | 3-3/4" | 5/8" square × 18 ga × 21 | 2" square × 16 ga | 1-1/4" × 15/16" × 14 ga |
| 96" | 3', 3-1/2', 4', 5' or 6' | 6" | 5-1/2" | 3-15/16" | 3/4" square × 18 ga × 21 | 2-1/2" square × 16 ga | 1-1/2" × 14 ga |
| 96" | 7' or 8' | 6" | 5-1/2" | 3-15/16" | 3/4" square × 18 ga × 21 | 2-1/2" square × 16 ga | 1-1/2" × 14 ga |
| 96" | 3', 3-1/2', 4', 5', 6', 7' or 8' | 6" | 9-3/4" | 3-3/4" | 1" square × 14 ga × 21 | - | 1-3/4" × 14 ga |

WROUGHT IRON FENCE



STOF-2 wrought iron fence - straight spear top, flush bottom

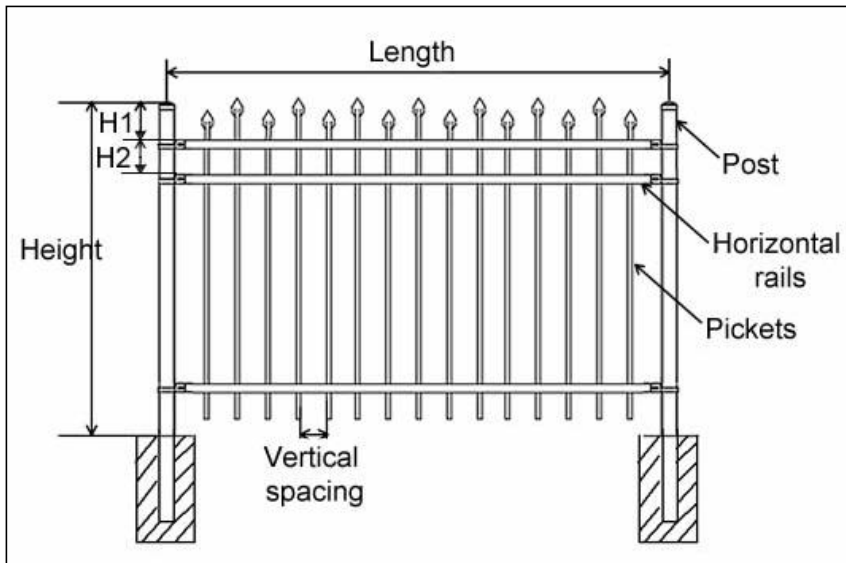
Table 3: STOF-2 Straight Spear Top, Flush bottom - Aluminum Fence

| Length | Height | H1 | H2 | Vertical Spacing | Pickets | Post | Horizontal rails | |
|---------|------------------|--------|--------|------------------|--------------------------------|-------------------------|------------------------------|--|
| | | | | | | | Top Rail | Rail size |
| 72-1/2" | 4', 5' or 6' | 6-1/8" | 5-3/8" | 3-11/16" | 3/4" square × 0.05" thick × 15 | 2" square × 0.06 thick | 1" square × 0.055" thick × 1 | 1-1/2" square × 0.082" thick × 2 (3 Rail sizes for 6') |
| 72" | 3', 4', 5' or 6' | 5" | 7" | 3-13/16" | 3/4" square × 0.05" thick × 15 | 2" square × 0.062 thick | 1" square × 0.062" thick × 1 | 1" square × 0.072" thick × 2 |

Table 4: STOF-2 Straight Spear Top, Flush Bottom - Steel / Wrought Iron Fence

| Length | Height | H1 | H2 | Vertical Spacing | Pickets | Post | Horizontal rails |
|--------|----------------------------------|--------|--------|------------------|--------------------------|-----------------------|-------------------------|
| 96" | 3', 3-1/2', 4', 5' or 6' | 5-3/4" | 5" | 3-3/4" | 5/8" square × 18 ga × 21 | 2" square × 16 ga | 1-1/4" × 15/16" × 14 ga |
| 96" | 7' or 8' | 6" | 5-1/2" | 3-15/16" | 3/4" square × 14 ga × 21 | 2-1/2" square × 14 ga | 1-1/2" × 14 ga |
| 96" | 3', 3-1/2', 4', 5', 6', 7' or 8' | 8" | 9-3/4" | 3-3/4" | 1" square × 14 ga × 21 | - | 1-3/4" × 14 ga |

WROUGHT IRON FENCE



STOF-3 wrought iron fence - staggered spear top

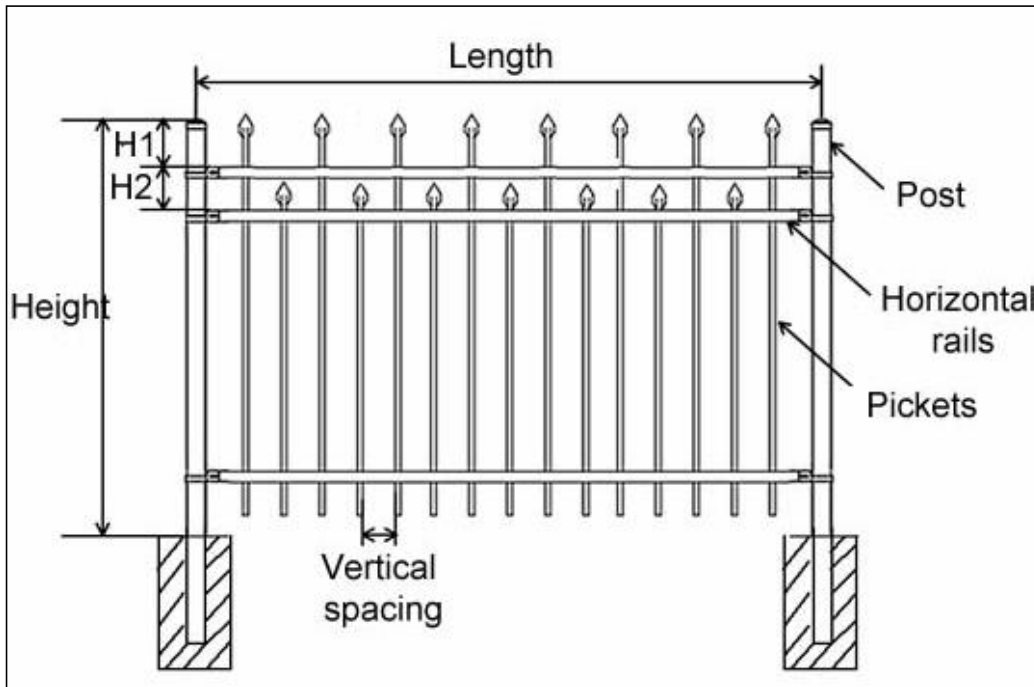
Table 5: STOF-3 Staggered Spear Top - Aluminum Fence

| Length | Height | H1 | H2 | Vertical Spacing | Pickets | Post | Horizontal rails | |
|---------|------------------|--------|----|------------------|--------------------------------|-----------------------------|---------------------------------|--|
| | | | | | | | Top Rail | Rail size |
| 72-1/2" | 3' or 4' | 6-1/2" | 7" | 3-13/16" | 5/8" square × 0.05" thick × 15 | 2" square × 0.06 thick | 1" square × 0.055" thick × 1 | 1" square × 0.062" thick × 2 (3 Rail sizes for 6') |
| 72-1/2" | 5' or 6' | 7-1/2" | 7" | 3-13/16" | | | | |
| 71-1/2" | 4', 5' or 6', 8' | 8-3/4" | 8" | 4" | 1" square × 0.062" thick × 13 | 2-1/2" square × 0.075 thick | 1-5/8" square × 0.07" thick × 1 | 1-5/8" square × 0.1" thick × 2 (3 Rail sizes for 8') |
| 71-1/2" | 8' | 8-3/4" | 9" | 4" | | | | |

Table 6: STOF-3 Staggered Spear Top - Steel / Wrought Iron Fence

| Length | Height | H1 | H2 | Vertical Spacing | Pickets | Post | Horizontal rails |
|--------|----------------------------------|--------|--------|------------------|--------------------------|-----------------------|-------------------------|
| 96" | 3', 3-1/2', 4', 5' or 6' | 5-3/4" | 5" | 3-3/4" | 5/8" square × 18 ga × 21 | 2" square × 16 ga | 1-1/4" × 15/16" × 14 ga |
| 96" | 7' or 8' | 6" | 5-1/2" | 3-15/16" | 3/4" square × 18 ga × 21 | 2-1/2" square × 16 ga | 1-1/2" × 14 ga |
| 96" | 7' or 8' | 6" | 5-1/2" | 3-15/16" | 3/4" square × 14 ga × 21 | 2-1/2" square × 14 ga | 1-1/2" × 14 ga |
| 96" | 3', 3-1/2', 4', 5', 6', 7' or 8' | 6" | 9-3/4" | 3-3/4" | 1" square × 14 ga × 21 | - | 1-3/4" × 14 ga |

WROUGHT IRON FENCE



STOF-4 wrought iron fence - extra staggered spear top

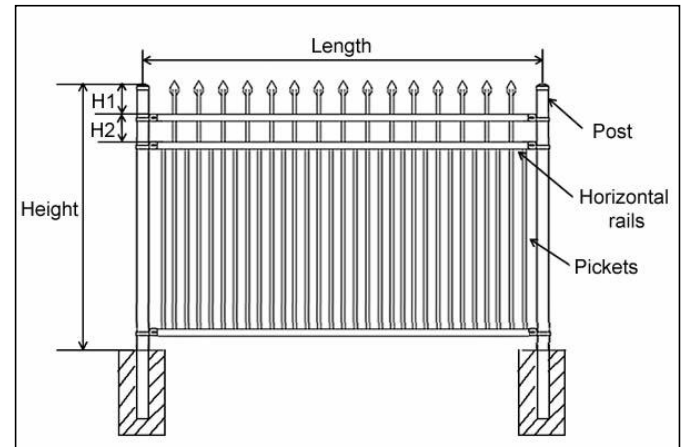
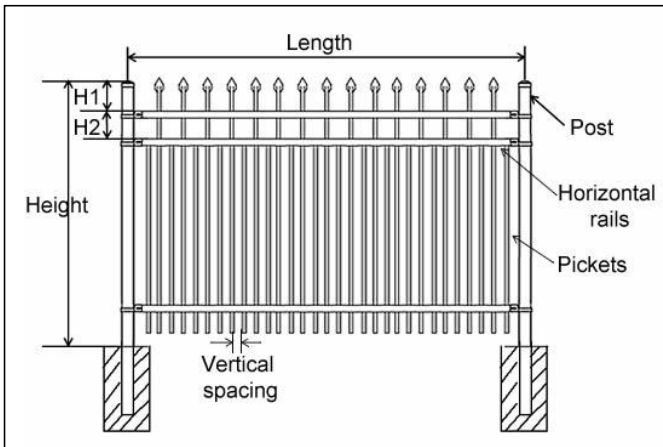
Table 7: STOF-4 Extra Staggered Spear Top - Aluminum Fence

| Length | Height | H1 | H2 | Vertical Spacing | Pickets | Post | Horizontal rails | |
|---------|----------|--------|----|------------------|------------------------|------------------------------|--------------------------|--|
| | | | | | | | Top Rail | Rail size |
| 72-1/2" | 3' or 4' | 6-1/2" | 7" | 3-13/16" | 2" square × 0.06 thick | 1" square × 0.055" thick × 1 | 1" square × 0.055" thick | 1" square × 0.062" thick × 2 (3 Rail sizes for 6') |
| 72-1/2" | 5' or 6' | 7-1/2" | 7" | 3-13/16" | | | | |

Table 8: STOF-4 Extra Staggered Spear Top - Steel / Wrought Iron Fence

| Length | Height | H1 | H2 | Vertical Spacing | Pickets | Post | Horizontal rails |
|--------|----------------------------------|--------|--------|------------------|--------------------------|-----------------------|-------------------------|
| 96" | 3', 3-1/2', 4', 5' or 6' | 5-3/4" | 5" | 3-3/4" | 5/8" square × 18 ga × 21 | 2" square × 16 ga | 1-1/4" × 15/16" × 14 ga |
| 96" | 7' or 8' | 6" | 5-1/2" | 3-15/16" | 3/4" square × 14 ga × 21 | 2-1/2" square × 14 ga | 1-1/2" × 14 ga |
| 96" | 3', 3-1/2', 4', 5', 6', 7' or 8' | 8" | 9-3/4" | 3-3/4" | 1" square × 14 ga × 21 | - | 1-3/4" × 14 ga |

WROUGHT IRON FENCE

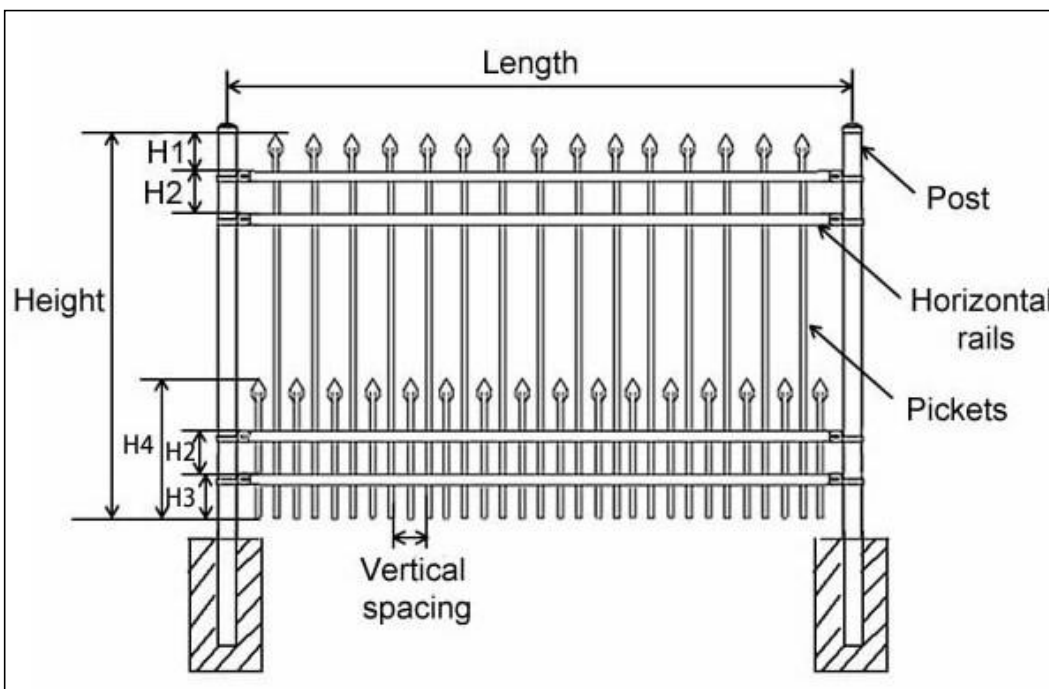


STOF-5 wrought iron fence - narrow vertical space

STOF-6 wrought iron fence - narrow spacing, flush bottom

Table 9: STOF-5 & 6 Narrow Spacing - Aluminum Fence

| Length | Height | H1 | H2 | Vertical Spacing | Pickets | Post | Horizontal rails | |
|---------|------------------|----|----|------------------|--------------------------------|-------------------------|------------------------------|------------------------------|
| | | | | | | | Top Rail | Rail size |
| 72-1/2" | 3', 4', 5' or 6' | 5" | 7" | 1-5/8" | 5/8" square x 0.05" thick x 31 | 2" square x 0.062 thick | 1" square x 0.062" thick x 1 | 1" square x 0.067" thick x 2 |

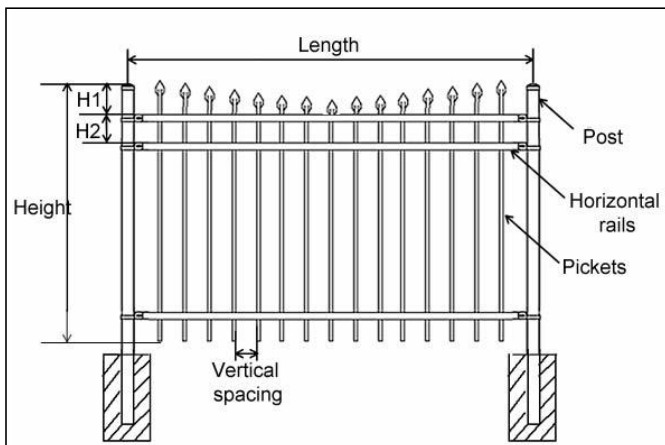


STOF-7 wrought iron fence – adding dwarf picket bars

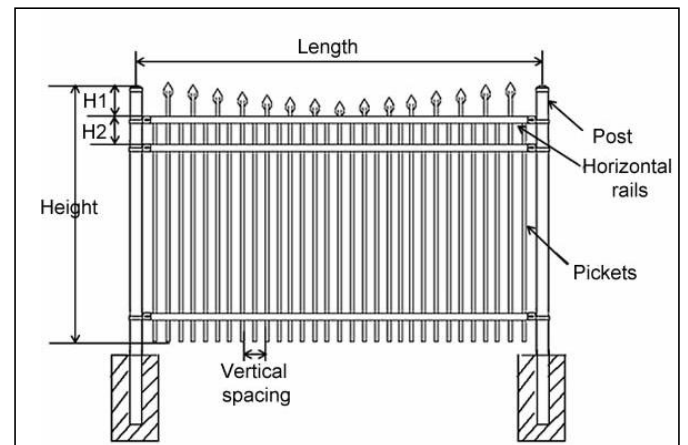
WROUGHT IRON FENCE

Table 10: STOF-7 With Adding Pet Fence - Aluminum Fence

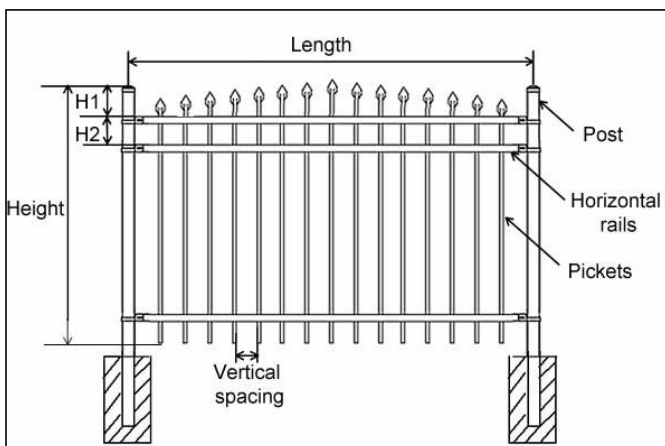
| Length | Height | H1 | H2 | H3 | H24 | Vertical Spacing | Pickets | Post | Horizontal rails | |
|--------|--------------------------|--------|----|--------|-----|------------------|------------------------------------|---------------------------------|--------------------------|--------------------------|
| | | | | | | | | | Top Rail | Rail size |
| 6' | 3', 3-1/2', 4', 5' or 6' | 4-1/2" | 6" | 5-1/2" | 16" | 3-13/16" | 5/8" x 0.05" or 1" x 5/8" x 0.062" | 2" square, 0.06" or 0.08" thick | 1-1/8" x 1" x 0.062" | 1-1/8" x 1" x 0.082" |
| 6' | 3', 3-1/2', 4', 5' or 6' | 4-1/2" | 6" | 5-1/2" | 16" | 3-13/16" | 3/4" x 0.055" | 2" square, 0.08" or 0.1" thick | 1-3/8" x 1-1/4" x 0.065" | 1-3/8" x 1-1/4" x 0.088" |
| 6' | 3', 3-1/2', 4', 5' or 6' | 4-1/2" | 6" | 5-1/2" | 16" | 3-13/16" | 1" x 0.062" | 2" square, 0.1" thick | 1-5/8" x 1-15/8" x 0.07" | 1-5/8" x 1-15/8" x 0.1" |



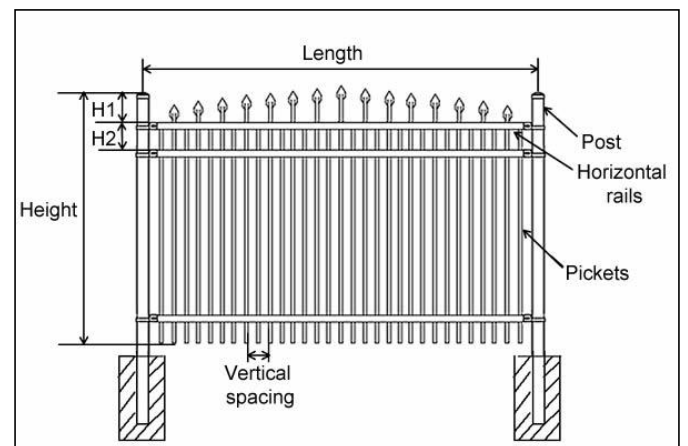
STOP-8 wrought iron fence – concave



STOF-9 wrought iron fence – concave spear top



STOF-10 wrought iron fence – concave spear top, narrow space

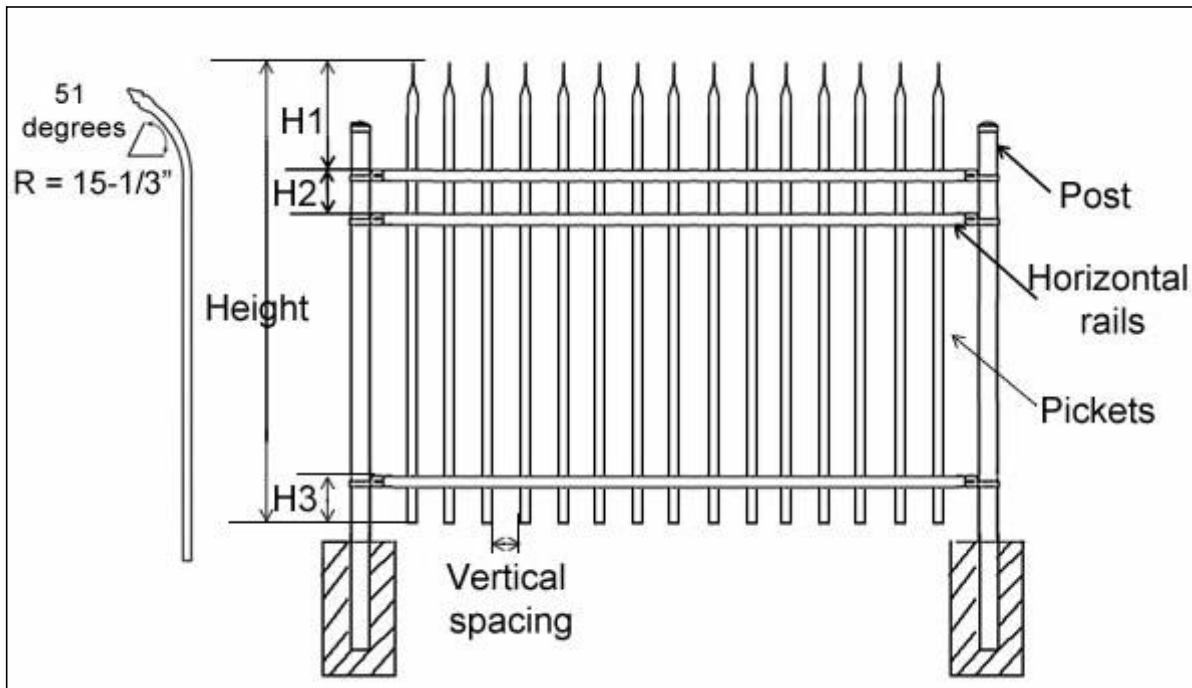


STOF-11 wrought iron fence – convex spear top

WROUGHT IRON FENCE

Table 11: STOF-8, 9, 10 & 11 Concave Spear Top - Aluminum Fence

| Length | Height | H1 | H2 | Vertical Spacing | Pickets | Post | Horizontal rails | |
|--------|--------------------------|--------|----|------------------|------------------------------------|---------------------------------|--------------------------|--------------------------|
| | | | | | | | Top Rail | Rail size |
| 6' | 3', 3-1/2', 4', 5' or 6' | 5-1/4" | 6" | 3-13/16" | 5/8" x 0.05" or 1" x 5/8" x 0.062" | 2" square, 0.06" or 0.08" thick | 1-1/8" x 1" x 0.062" | 1-1/8" x 1" x 0.082" |
| 6' | 3', 3-1/2', 4', 5' or 6' | 5-1/4" | 6" | 3-13/16" | 3/4" x 0.055" | 2" square, 0.08" or 0.1" thick | 1-3/8" x 1-1/4" x 0.065" | 1-3/8" x 1-1/4" x 0.088" |
| 6' | 3', 3-1/2', 4', 5' or 6' | 5-1/4" | 6" | 3-13/16" | 1" x 0.062" | 2" square, 0.1" thick | 1-5/8" x 1-15/8" x 0.07" | 1-5/8" x 1-15/8" x 0.1" |



DTOF wrought iron fence - defender top

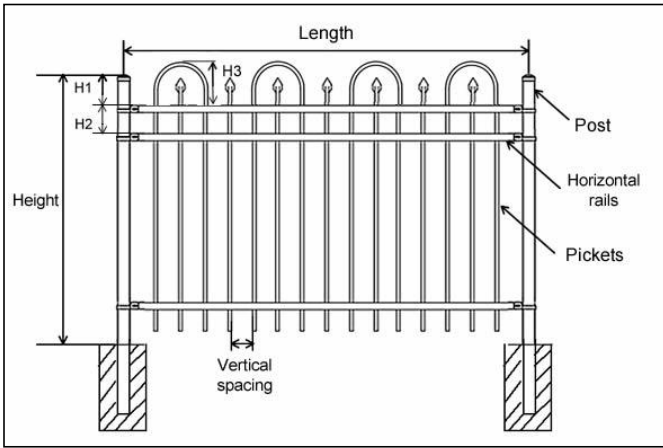
Table 12: DTOF Defender Top - Aluminum Fence

| Length | Height | H1 | H2 | H3 | Vertical Spacing | Pickets | Post | Horizontal rails | |
|--------|-------------------|---------|---------|---------|------------------|-------------|--|------------------|---------------|
| | | | | | | | | Top Rail | Rail size |
| 6' | 7', 8', 9' or 10' | 18-1/2" | 10-5/8" | 10-5/8" | 3-5/8" | 1" x 0.062" | 2-1/2" square, 0.1" thick or 3" square, 0.125" thick | 1-5/8" x 0.07" | 1-5/8" x 0.1" |

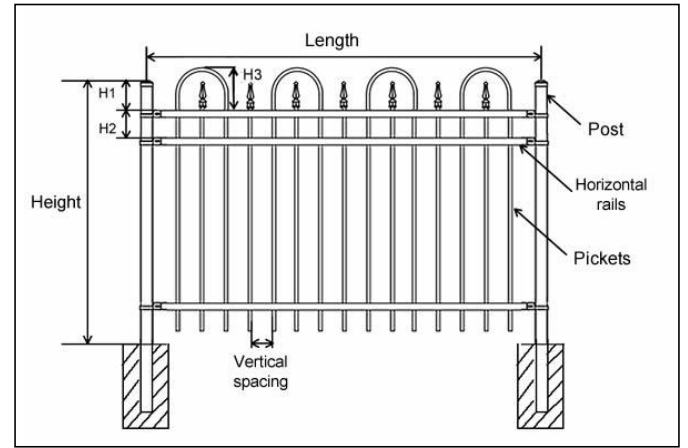
WROUGHT IRON FENCE

Table 13: DTOF Defender Top - Steel / Wrought Iron Fence

| Length | Height | H1 | H2 | H3 | Vertical spacing | Pickets | Post | Horizontal rails |
|--------|--------|---------|--------|--------|------------------|--------------|----------------|------------------|
| 8' | 7', 8' | 18-3/4" | 5-1/2" | 5-1/2" | 3-15/16" | 3/4" x 14 ga | 2-1/2" x 14 ga | 2-1/2" x 14 ga |
| 8' | 7', 8' | 20" | 9-3/4" | 9-3/4" | 3-3/4" | 1" x 14 ga | 2-1/2" x 14 ga | 1-3/4" x 14 ga |



CTOP-1 wrought iron fence - curved top with pressed spear



CTOP-2 wrought iron fence - curved top with finials

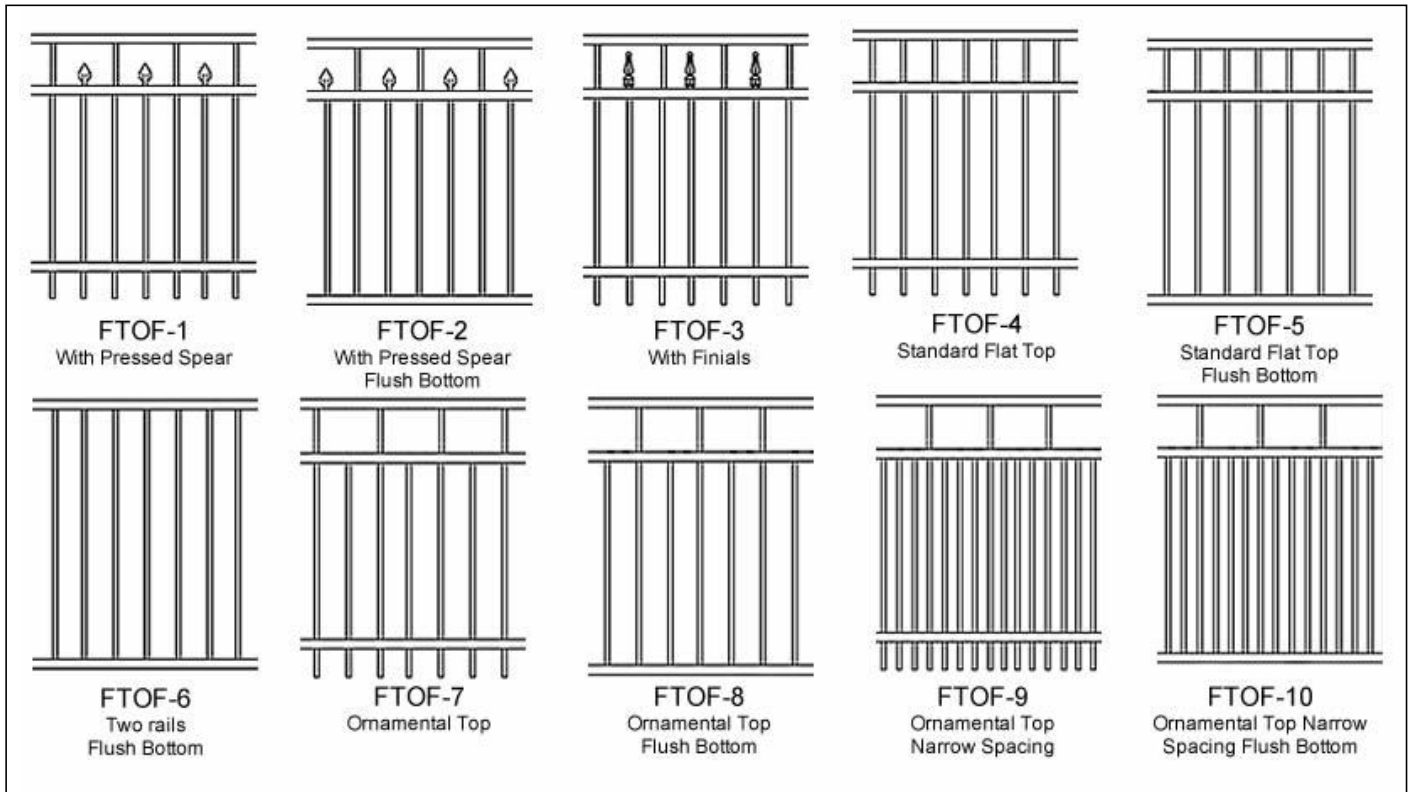
Table 14: CTOP-1 & 2 Curved Top with Finials - Aluminum Fence

| Length | Height | H1 | H2 | H3 | Vertical Spacing | Pickets | Post | Horizontal rails | |
|---------|----------|--------|--------|--------|------------------|-------------------------------|--------------------------|--------------------------|---|
| | | | | | | | | Top Rail | Rail size |
| 72-1/2" | 3' or 4' | 6-1/2" | 7" | 8-3/4" | 3-13/16" | 5/8" square x 0.05" thick x 7 | 2" square x 0.062" thick | 1" square x 0.055" thick | 1" square x 0.062" thick x 2 (3 sizes rails for 6') |
| 72-1/2" | 57" | 7-1/2" | 5-3/8" | 8-3/4" | 3-13/16" | | | | |
| 72-1/2" | 5' | 7-1/2" | 6-7/8" | 8-3/4" | 3-13/16" | | | | |
| 72-1/2" | 6' | 7-1/2" | 7" | 8-3/4" | 3-13/16" | | | | |

WROUGHT IRON FENCE

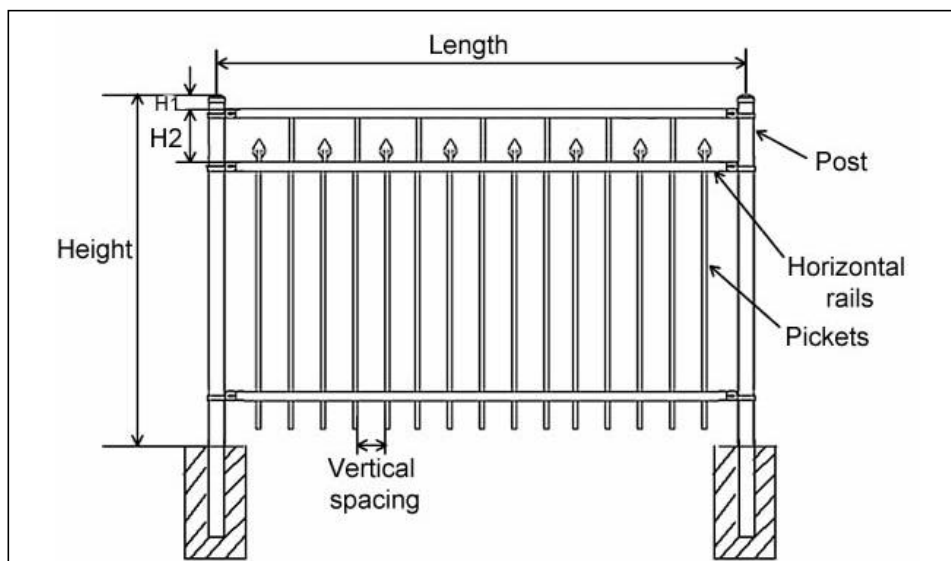
II, Wrought iron fence without finial

Types as the picture below



Wrought iron fence - flat top

Picture and dimension table



FTOF-1 wrought iron fence - finial and flat bar

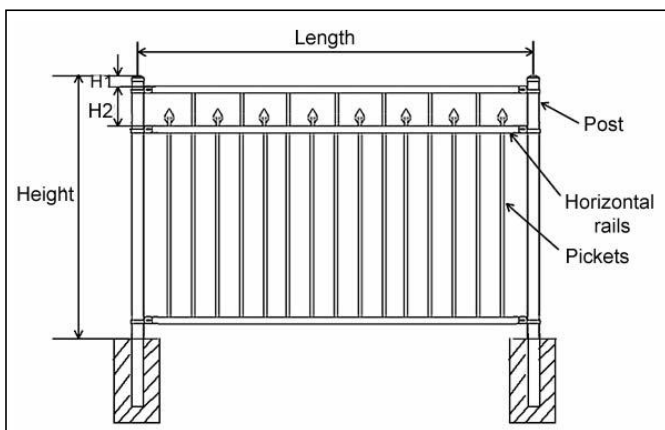
WROUGHT IRON FENCE

Table 15: FTOF-1 With Pressed Spear - Aluminum Fence

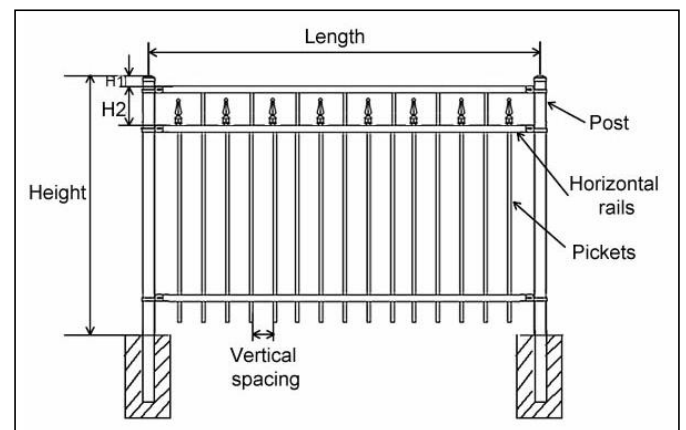
| Length | Height | H1 | H2 | Vertical Spacing | Pickets | Post | Horizontal rails | |
|---------|-------------------|--------|--------|------------------|--------------------------------|---------------------------------|--------------------------------|--|
| | | | | | | | Top Rail | Rail size |
| 72-1/2" | 3', 4', 54" or 5' | 1-1/2" | 7" | 3-13/16" | 5/8" square 0.05 thick x 15 | 2" square x 0.06" thick | 1" square x 0.055" thick | 1" square x 0.082" thick x 2 (3 sizes rails for 6') |
| 72-1/2" | 6' | 1-1/2" | 8" | 3-13/16" | | | | |
| 72-1/2" | 3', 4' or 5' | 1-1/2" | 7" | 1-5/8" | 5/8" square 0.05 thick x 31 | 2" square x 0.06" thick | 1" square x 0.055" thick | 1" square x 0.082" thick x 2 (3 sizes rails for 6') |
| 72-1/2" | 6' | 1-1/2" | 8" | 1-5/8" | | | | |
| 72-1/2" | 4', 5' or 6' | 1-1/2" | 8-1/4" | 4" | 1" square 0.062 thick x 13 | 2-1/2" square x 0.075" thick | 1-5/8" square x 0.07" thick | 1-5/8" square x 0.1" thick x 2 (3 sizes rails for 8') |
| 72-1/2" | 8' | 1-1/2" | 9-1/4" | 4" | | | | |

Table 16: FTOF-1 With Pressed Spear - Steel / Wrought Iron Fence

| Length | Height | H1 | H2 | Vertical Spacing | Pickets | Post | Horizontal rails |
|--------|-------------------------------------|--------|---------------------|------------------|-----------------------------|-----------------------------|------------------------------|
| 96" | 3', 3-1/2', 4', 5' or 6' | 1-1/2" | 7' or 8' | 3-3/4" | 5/8" square x 18 ga x 21 | 2" square x 16 ga | 1-1/4" x 15/16" x x 14 ga |
| 96" | 3', 3-1/2', 4', 5' or 6' | 1-1/8" | 7" | 3-15/16" | 5/8" square x 18 ga x 21 | 2-1/2" square x 16 ga | 1-1/2" x 14 ga |
| 96" | 7' or 8' | 1-1/8" | 8" | 3-15/16" | 5/8" square x 18 ga x 21 | 2-1/2" square x 14 ga | 1-1/2" x 14 ga |
| 96" | 3', 3-1/2', 4', 5', 6', 7' or 8' | 1" | 8-1/4" or 9-1/4" | 3-3/4" | 1" square x 14 ga x 21 | - | 1-3/4" x 14 ga |



FTOF-2 Wrought iron fence with arrow-shape finial - flat top



FTOF-3 Wrought iron fence with beautiful finials - flat top

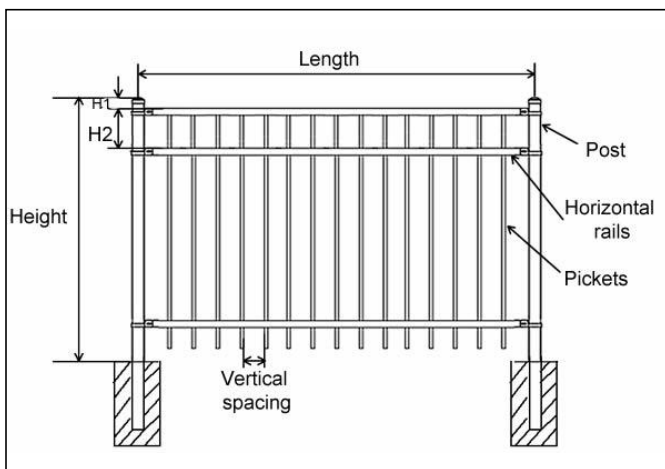
WROUGHT IRON FENCE

Table 17: FTOF-2 & 3 With Finials - Aluminum Fence

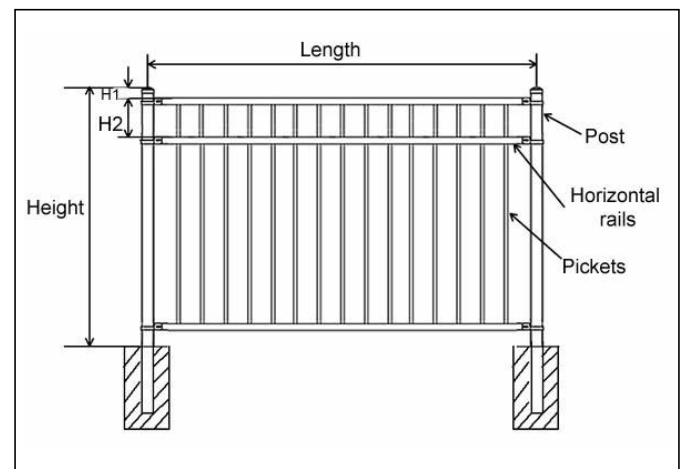
| Length | Height | H1 | H2 | Vertical Spacing | Pickets | Post | Horizontal rails | |
|---------|--------------|--------|--------|------------------|--------------------------------|------------------------|------------------------------|---|
| | | | | | | | Top Rail | Rail size |
| 72-1/2" | 4', 5' or 6' | 2-1/8" | 5-3/8" | 3-11/16" | 3/4" square × 0.05" thick × 15 | 2" square × 0.06 thick | 1" square × 0.055" thick × 1 | 1-1/2" square × 0.082" thick × 2 (3 Rail sizes for 6') |

Table 18: FTOF-2 & 3 With Pressed Spear, Flush Bottom - Steel / Wrought Iron Fence

| Length | Height | H1 | H2 | Vertical Spacing | Pickets | Post | Horizontal rails |
|--------|----------------------------------|--------|------------------|------------------|--------------------------|-----------------------|-------------------------|
| 96" | 3', 3-1/2', 4', 5' or 6' | 1-1/2" | 5-3/8" to 8" | 3-3/4" | 5/8" square × 18 ga × 21 | 2" square × 16 ga | 1-1/4" × 15/16" × 14 ga |
| 96" | 3', 3-1/2', 4', 5' or 6' | 1-1/8" | 7" | 3-15/16" | 3/4" square × 18 ga × 21 | 2-1/2" square × 16 ga | 1-1/2" × 14 ga |
| 96" | 7' or 8' | 1-1/8" | 8" | 3-15/16" | 3/4" square × 14 ga × 21 | 2-1/2" square × 16 ga | 1-1/2" × 14 ga |
| 96" | 3', 3-1/2', 4', 5', 6', 7' or 8' | 1" | 5-3/8" to 9-1/4" | 3-3/4" | 1" square × 14 ga × 21 | - | 1-3/4" × 14 ga |



FTOF-4 wrought iron fence without finials - flat top



FTOF-5 wrought iron without finial, bars - flat top and flat bottom

WROUGHT IRON FENCE

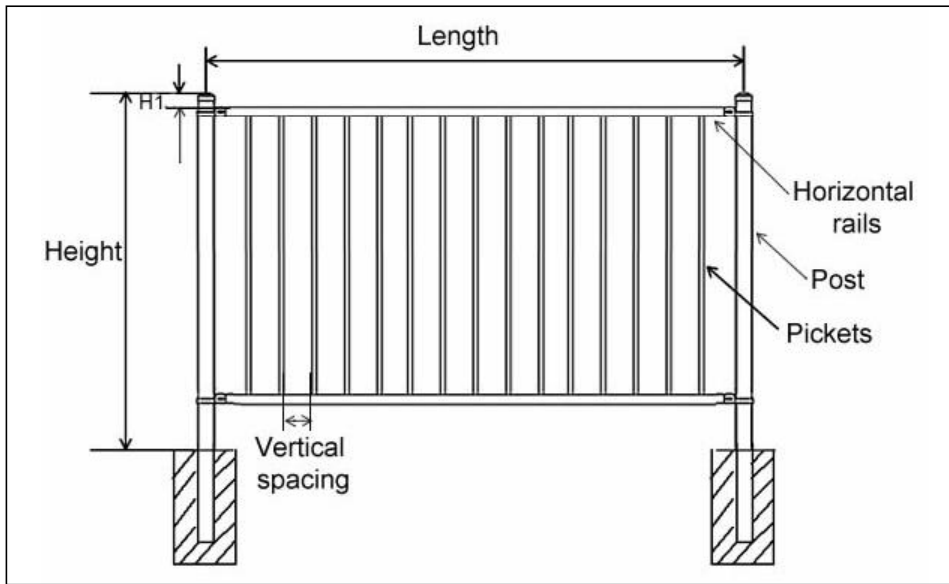
Table 19: FTOF-4 & 5 Standard Flat Top - Aluminum Fence

| Length | Height | H1 | H2 | Vertical Spacing | Pickets | Post | Horizontal rails | |
|---------|-------------------|--------|--------|------------------|--------------------------------|------------------------------------|--------------------------------|---|
| | | | | | | | Top Rail | Rail size |
| 72-1/2" | 3', 4', 54" or 5' | 1-1/2" | 7" | 3-13/16" | 5/8" square 0.05 thick × 15 | 2" square × 0.06" thick | 1" square × 0.055" thick | 1" square × 0.082" thick × 2 (3 sizes rails for 6') |
| 72-1/2" | 6' | 1-1/2" | 8" | 3-13/16" | | | | |
| 72-1/2" | 3', 4' or 5' | 1-1/2" | 7" | 1-5/8" | 5/8" square 0.05 thick × 31 | | | |
| 72-1/2" | 6' | 1-1/2" | 8" | 1-5/8" | | | | |
| 72-1/2" | 4', 5' or 6' | 2-1/2" | 8-1/4" | 4" | 1" square 0.062 thick × 13 | 2-1/2" square × 0.075" thick | 1-5/8" square × 0.07" thick | 1-5/8" square × 0.1" thick × 2 (3 sizes rails for 8') |
| 72-1/2" | 8' | 2-1/2" | 9-1/4" | 4" | | | | |
| 72-1/2" | 4', 5' or 6' | 2-1/2" | 8-1/4" | 1-1/2" | 1" square 0.062 thick × 27 | 2-1/2" square × 0.075" thick | 1-5/8" square × 0.07" thick | 1-5/8" square × 0.1" thick × 2 (3 sizes rails for 8') |
| 72-1/2" | 8' | 2-1/2" | 9-1/4" | 1-1/2" | | | | |

Table 20: FTOF-4 & 5 Standard Flat Top - Steel / Wrought Iron Fence

| Length | Height | H1 | H2 | Vertical Spacing | Pickets | Post | Horizontal rails |
|--------|-------------------------------------|--------|--------|------------------|-----------------------------|-----------------------------|------------------------------|
| 96" | 3', 3-1/2', 4', 5' or 6' | 1-1/2" | 5" | 3-3/4" | 5/8" square × 18 ga × 21 | 2" square × 16 ga | 1-1/4" × 15/16" × × 14 ga |
| 96" | 3', 3-1/2', 4', 5' or 6' | 1-1/8" | 5-1/2" | 3-15/16" | 3/4" square × 18 ga × 21 | 2-1/2" square × 16 ga | 1-1/2" × 14 ga |
| 96" | 7' or 8' | 1-1/8" | 5-1/2" | 3-15/16" | 3/4" square × 14 ga × 21 | 2-1/2" square × 14 ga | 1-1/2" × 14 ga |
| 96" | 3', 3-1/2', 4', 5', 6', 7' or 8' | 1" | 9-3/4" | 3-3/4" | 1" square × 14 ga × 21 | - | 1-3/4" × 14 ga |

WROUGHT IRON FENCE



FTOF-6 wrought iron fence with finial - two crossing bars

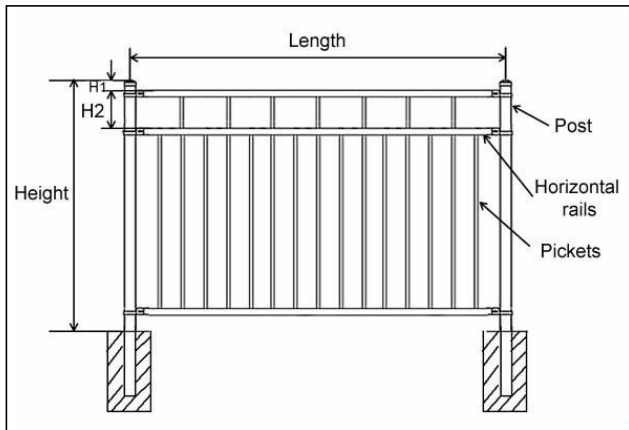
Table 21: FTOF-6 Two Rails, Flush Bottom - Aluminum Fence

| Length | Height | H1 | Vertical Spacing | Pickets | Post | Horizontal rails | |
|---------|--------|--------|------------------|--------------------------------|-----------------------------|-----------------------------|---------------------------------|
| | | | | | | Top Rail | Rail size |
| 72-1/2" | 4' | 1-1/2" | 3-13/16" | 5/8" square 0.05 thick × 15 | 2" square × 0.062" thick | 1" square × 0.055" thick | 1" square × 0.082" thick |
| 72-1/2" | 6' | 1-1/2" | 3-13/16" | - | | 1" square × 0.072" thick | 1-1/2" square × 0.080" thick |
| 71-1/8" | 4' | 1-1/2" | 3-13/16" | 5/8" square 0.05 thick × 31 | | | |

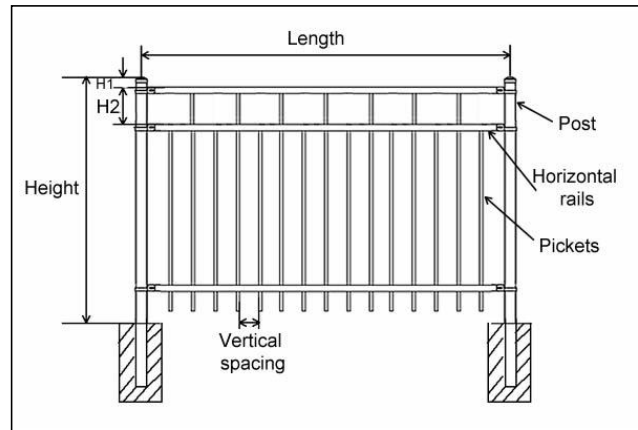
Table 22: FTOF-6 Two Rails, Flush Bottom - Steel / Wrought Iron Fence

| Length | Height | H1 | Vertical Spacing | Pickets | Post | Horizontal rails |
|--------|-----------------------------|--------|------------------|-----------------------------|-----------------------|-----------------------------|
| 96" | 3', 3-1/2', 4', 5' or 6' | 1-1/2" | 3-3/4" | 5/8" square × 18 ga × 21 | 2" square × 16 ga | 1-1/4" × 15/ 16" × 14 ga |
| 96" | 3', 3-1/2', 4', 5' or 6' | 1-1/8" | 3-15/16" | 3/4" square × 14 ga × 21 | 2-1/2" square × 16 ga | 1-1/2" × 14 ga |
| 96" | 7' or 8' | 1-1/8" | 3-15/16" | 3/4" square × 14 ga × 21 | 2-1/2" square × 14 ga | 1-1/2" × 14 ga |
| 96" | 1" | 1" | 3-3/4" | 1" square × 14 ga × 21 | - | 1-3/4" × 14 ga |

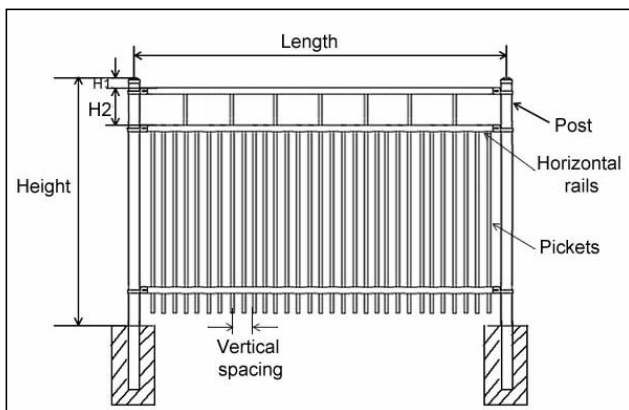
WROUGHT IRON FENCE



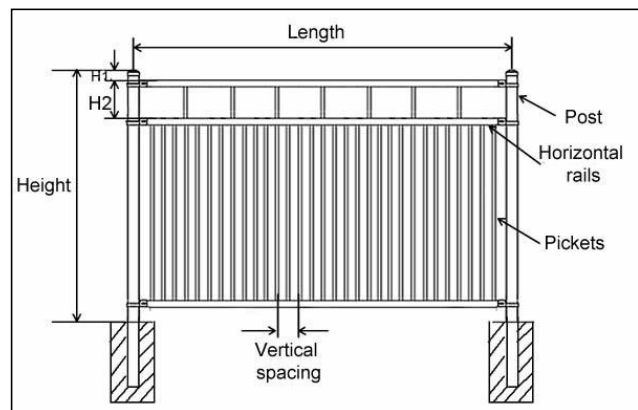
FTOF-7 flat top, flat bottom



FTOF-8 flat top, vertical bar crossing the horizontal bar at the bottom



FTOF-9 narrow vertical space, vertical bar crossing the horizontal bar at the bottom



FTOF-10 narrow vertical space, flat bottom

Table 23: FTOF-7, 8, 9 & 10 Ornamental Top - Aluminum Fence

| Length | Height | H1 | H2 | Vertical Spacing | Pickets | Post | Horizontal rails | |
|---------|--------------------------|--------|----|------------------|--------------------------------|-------------------------|------------------------------|--|
| | | | | | | | Top Rail | Rail size |
| 72-1/2" | 3', 4', 4-1/2', 5' or 6' | 1-1/2" | 7" | 3-13/16" | 5/8" square × 0.05" thick × 15 | 2" square × 0.062 thick | 1" square × 0.062" thick × 1 | 1-1/2" square × 0.072" thick × 2 (3 Rail sizes for 6') |

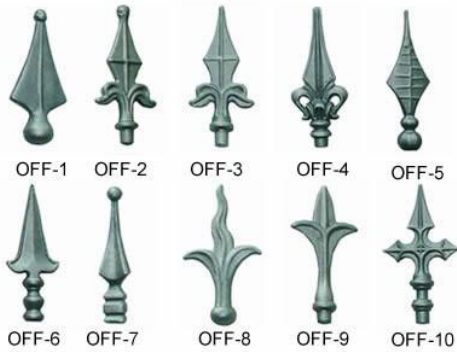
Table 24: FTOF-7 & 8 Ornamental top - Steel / Wrought Iron Fence

| Length | Height | H1 | H2 | Vertical Spacing | Pickets | Post | Horizontal rails |
|--------|----------------------------------|--------|--------|------------------|--------------------------|-----------------------|-------------------------|
| 96" | 3', 3-1/2', 4', 5' or 6' | 1-1/2" | 5" | 3-3/4" | 5/8" square × 18 ga × 21 | 2" square × 16 ga | 1-1/4" × 15/16" × 14 ga |
| 96" | 3', 3-1/2', 4', 5' or 6' | 1-1/8" | 5-1/2" | 3-15/16" | 3/4" square × 14 ga × 21 | 2-1/2" square × 14 ga | 1-1/2" × 14 ga |
| 96" | 7' or 8' | 1-1/8" | 5-1/2" | 3-15/16" | 3/4" square × 14 ga × 21 | 2-1/2" square × 14 ga | 1-1/2" × 14 ga |
| 96" | 3', 3-1/2', 4', 5', 6', 7' or 8' | 1" | 9-3/4" | 3-3/4" | 1" square × 14 ga × 21 | | 1-3/4" × 14 ga |

WROUGHT IRON FENCE

III, Wrought iron fence accessories

Types as the picture below



Wrought iron fence's finials

- **Material:** aluminum, mild steel, wrought iron.
- **Surface treatment:** electric/hot-dip galvanized coating, spray paint, sandblasting, anti-rust oil PVC powder coating or UV-proof powder.
- **Color:** any color is available.
- **Feature:** easy to install, excellent anti-rust surface, durable and strong structure, elegant appearance.
- **Sizes:** suitable for 5/8", 3/4" or 1" pickets.

- **Material:** aluminum or quality steel.
- **Surface treatment:** chrome plated, brass plated, powder coating or others as your requirements.
- **Color:** any color is available.
- **Feature:** easy to install, a various kinds of color, ball-shape or square, excellent anti-rust, elegant appearance.



Square or round wrought iron fence cap



Steel fence bracket SFB-1

Versatile for fasten to line, corner and end post.

- **Self- drilling screw:** #10 × 3/4".
- **Carriage bolt:** 1/4" × 1-1/2".
- **Flange nut:** 1/4".
- **For line or corner:** 2 brackets, 2 or 4 screws, 2 bolts and 2 nuts.
- **For end:** 1 bracket, 1 or 2 screws, 1 bolt and 1 nut.

WROUGHT IRON FENCE



Steel fence bracket SFB-2

Two-piece bracket
Suitable for line posts.

- **Self-drilling screw:** #14 × 3/4".
- **Carriage bolt:** 1/4" × 1-1/2".
- **Flange nut:** 1/4".
- **For line:** 1 bracket, 2 screws, 2 bolts and 2 nuts.

Versatile for fasten to line, corner and end post.

- **Self- drilling screw:** #14 × 3/4".
- **Carriage bolt:** 1/4" × 1-1/2".
- **Flange nut:** 1/4".
- **For line or corner:** 2 brackets, 2 screws, 2 bolts and 2 nuts.
- **For end:** 1 bracket, 1 screw, 1 bolt and 1 nut.



Steel fence bracket SFB-3



Steel fence bracket SFB-4

- **Application:** swivel bracket for horizontal angles other than 90°.
- **Function:** suitable for being fixed to wall, timber post, steel posts and columns.
- **Self-drilling screw:** #10 × 3/4".
- **Requirement:** 2 screws are needed to fasten a bracket.

WROUGHT IRON FENCE



Steel fence bracket SFB-5

- **Application:** suitable for line, corner or end posts.
- **Function:** suitable for fixing to wall, timber or steel posts and columns.
- **Self-drilling screw:** #10 × 3/4".
- **Requirement:** 2 screws are needed to fasten a bracket.

Self-closing Ideal for working with self-latching latch.

- **Material:** high quality reinforced polymer.
- **Application:** suitable for mid-duty or heavy-duty steel fence gate.
- **Feature:** with internal stainless spring for self-closing, tensile-adjustable, rust-free through whole life and no-ragging.



Steel fence hinge SFH-1

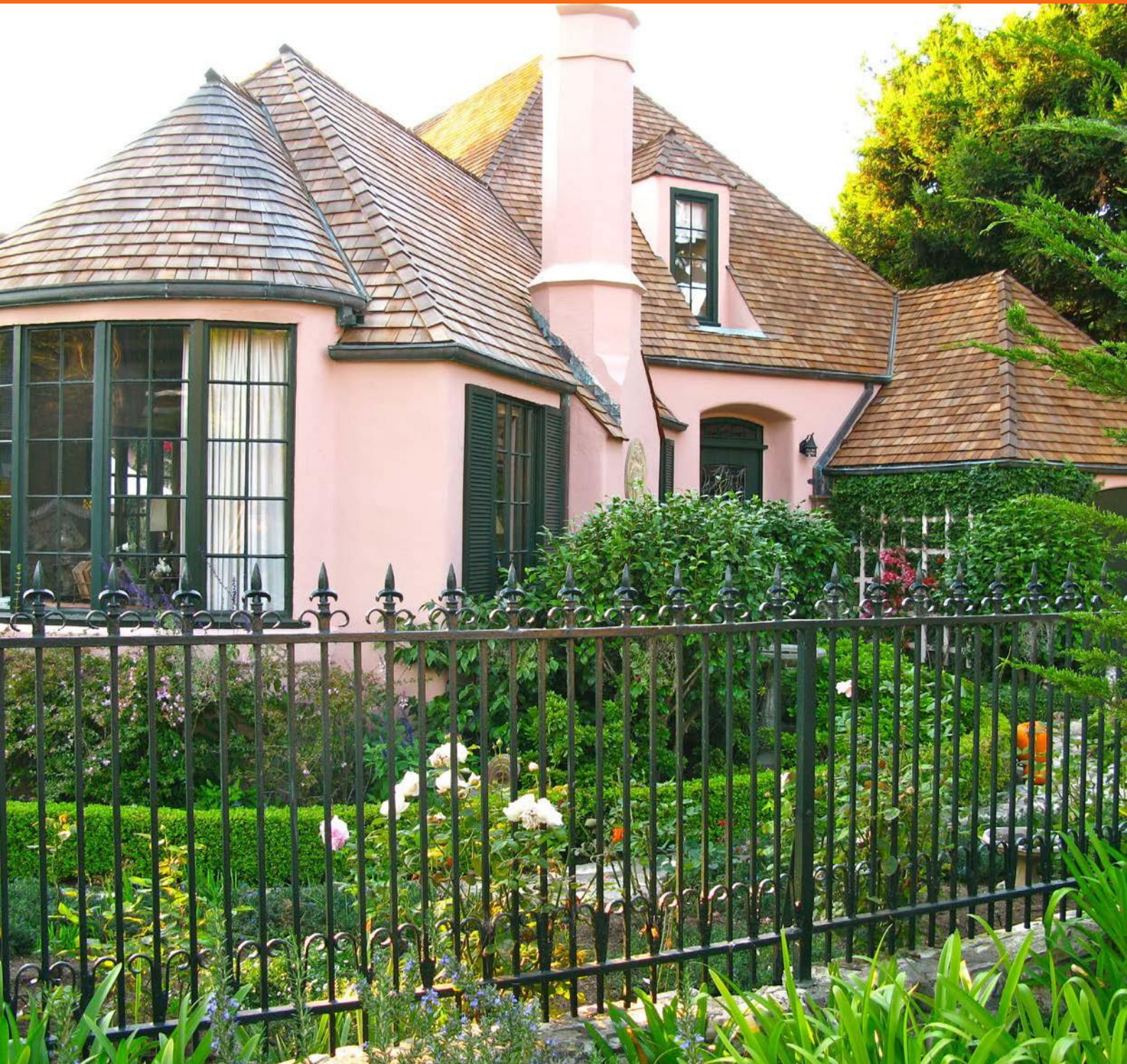


Steel fence hinge SFH-2

- **Material:** high quality stainless steel.
- **Surface treatment:** polyester powder coating.
- **Application:** suitable for mid-duty or heavy-duty steel fence gate.
- **Feature:** not capable to self-closing yet with strongest structure, high rust resistance as well anti-weather.

WROUGHT IRON FENCE

Anping Linkland Wire mesh Products Co., Ltd.



Add: No.69-70 The Filter Industrial Part of Anping ,Hebei, China P.O 053600

Call Us :+ 86 180 3388 9188

E-Mail : Sales@linklandfence.com

www.linklandfence.com



Fencing System
LINKLAND®